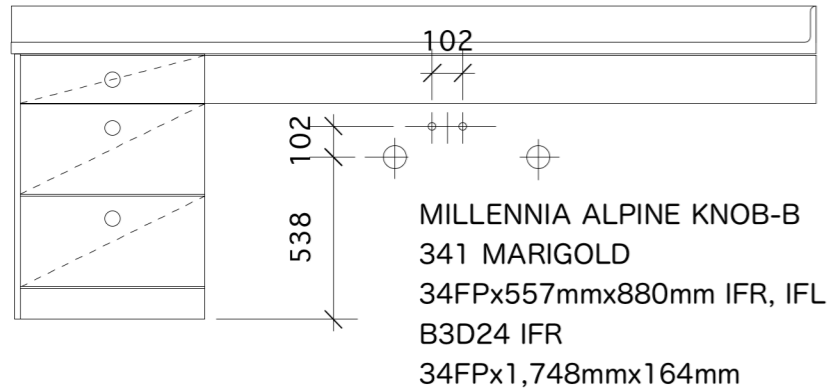
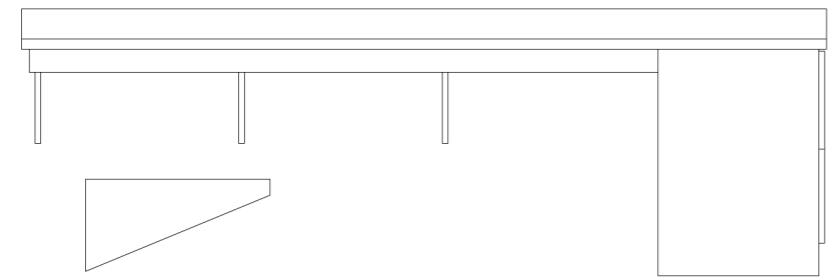


F1

COUNTERTOP 4142 GREY GLACE
PLY 38MM X 648MM X2,667MM
3/4"PLYWOOD SQUARE EDGE L, F
CORNER ROUND 25.4MM L
102MM BACKSPLASH B, R



MILLENNIA ALPINE KNOB-B
341 MARIGOLD
34FPx557mmx880mm IFR, IFL
B3D24 IFR
34FPx1,748mmx164mm

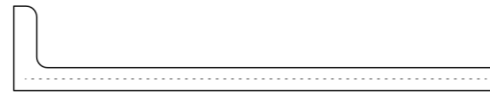


COUNTERTOP 4142 GREY GLACE
PLY 38MM X 648MM X2,667MM
3/4"PLYWOOD SQUARE EDGE L, F, R
102MM BACKSPLASH B
CORNER ROUND 25.4MM L, R
102MM BACKSPLASH B

MILLENNIA SHAKER
PINE NATURAL EDGE H KNOB-A
34FPx76mmx610mm IFBOT
34FPx164mmx305
34FPx164mmx305
34FPx164mmx305
34FPx164mmx2,090mm
V2D21
34FPx532mmx752mm
34FPx576mmx752mm

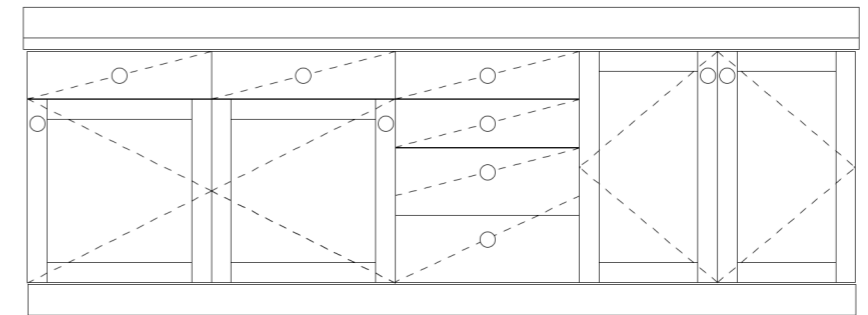
TYPICAL SECTION

25-1/2, 21-2/1
AS PER SUPPLYER STD



F2

COUNTERTOP 4142 GREY GLACE
38MM X 648MM X2,769MM
1/2"PLYWOOD SQUARE EDGE L, F, R, 102MM BACKSPLASH
CORNER ROUND 25.4MM L, R



MILLENNIA SHAKER
PINE NATURAL EDGE H KNOB-A
W3612 IFL,IFBOT,IFTOP
W3612 FBOT,IFTOP
W3612 FBOT,IFTOP, IFR

MILLENNIA SHAKER
PINE NATURAL EDGE H KNOB-A
B24R IFL, 2PCS AS24X24 PBD-FMI
B24L
B4D24
FB36 IFR 2PCS AS36X24 PBD-FMI

1SET
ELKAY
ECGR382210L1

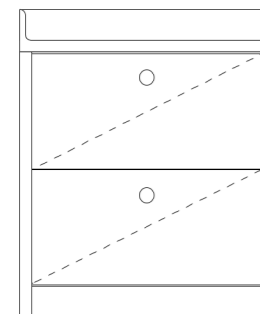
20PCS
BEL09311
KNOB-A: 1-1/4"ROUND
PB FINISH

10PCS
KNOB-B: 1-1/4"ROUND
PW FINISH
BEL24380
SATIN CHROME FINISH

10PCS
KNOB-C: 5" WIRE PULL
(SIMILAR TO P103SN)

F3

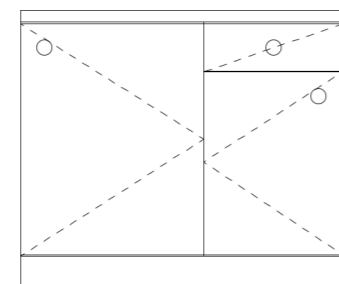
COUNTERTOP 4142 GREY GLACE
PLY 38MM X 648MM X650MM
3/4"PLYWOOD SQUARE EDGE F, R
102MM BACKSPLASH L, B



MILLENNIA ALPINE KNOB-B
341 MARIGOLD
B2D24 IFR
SFB3

F4

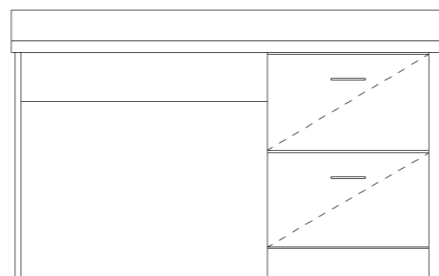
COUNTERTOP 4142 GREY GLACE
PLY 38MM X 648MM X1,068MM
3/4"PLYWOOD SQUARE EDGE L, F, R



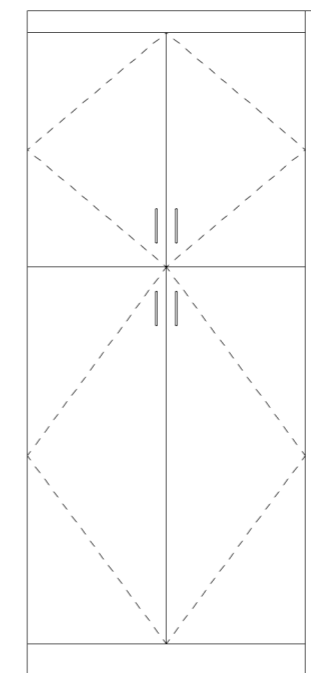
MILLENNIA ALPINE KNOB-B
341 MARIGOLD
FB24R IFL
B18L IFR

F5

COUNTERTOP 4142 GREY GLACE
PLY 38MM X 648MM X1,460MM
3/4"PLYWOOD SQUARE EDGE L, F
102MM BACKSPLASH B, R



MILLENNIA ALPINE KNOB-C
341 MARIGOLD
34FP 552MM X752MM IFF
34FP 893MM X164MM IFB
V2D21 IFL, SFB3

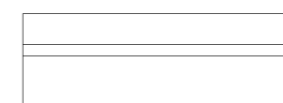


F6

MILLENNIA ALPINE KNOB-C
1511 MANDARIN RED IFL
P3684X24
SF396
SF396

F7

COUNTERTOP 91 SLATE GREY
PLY 38MM X 305MM X883MM
3/4"PLYWOOD SQUARE EDGE FRONT



DOOR
MILLENNIA ALPINE
91 SLATE GREY
34FP 883MM X164MM IFB

家具詳細図2
縮尺 1/25

23

一級建築士第118162号古山恵一郎

山本邸新築工事

ASK Inc.

109-12 Motoshiro-cho Hamamatsu-shi, 430-0946 JAPAN

phone: +81-53-453-0693
fax: +81-53-453-0698
e-mail: ask@tcp-ip.or.jp